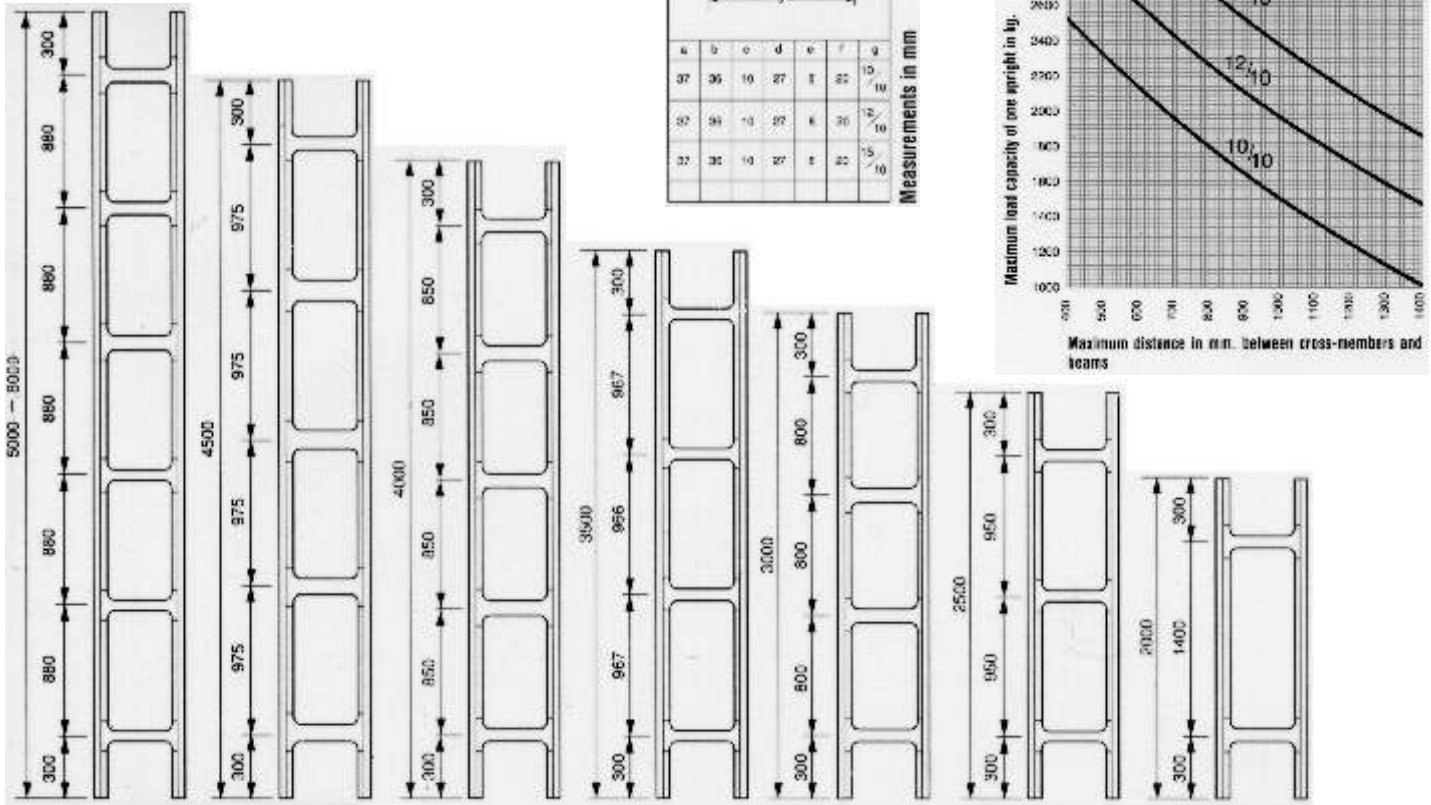
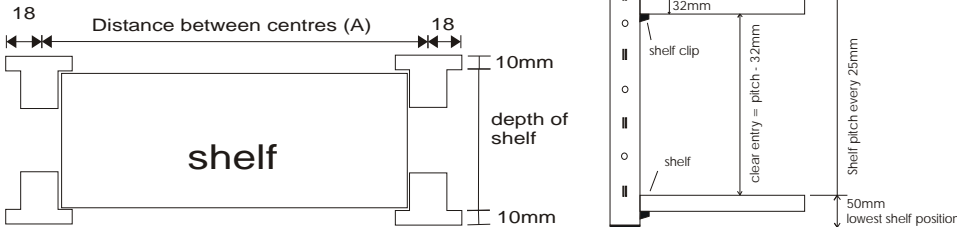


# Expo 4 dimension and loadings

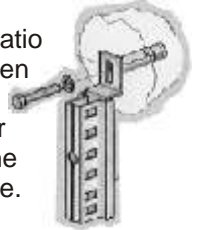


## Sizes & capacities



## Important

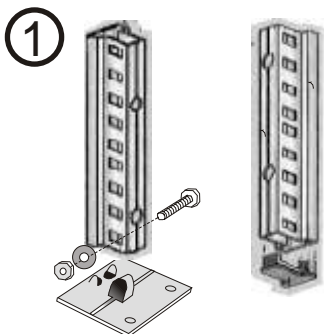
If the depth to height ratio is greater than 4 : 1 then the bays should be secured to the base or back to a wall using the wall tie shown opposite.



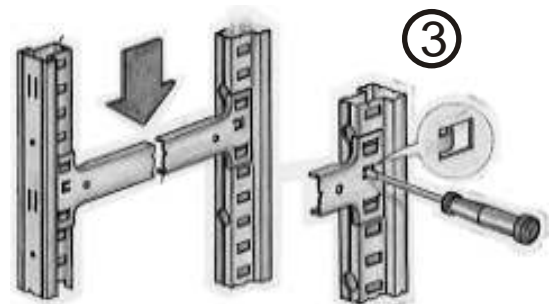
expo 4 300mm deep shelf			expo 4 400mm deep shelf			expo 4 500mm deep shelf			expo 4 600mm deep shelf		
width	(A)	capacity	width	(A)	capacity	width	(A)	capacity	width	(A)	capacity
700	706	140	700	706	125	700R	706	150	700RR	706	200
1000	1006	115	1000	1006	110	1000R	1006	140	1000RR	1006	165
1150	1156	100	1150	1156	100	1150R	1156	125	1150RR	1156	160

## Expo 4 assembly instructions - easy as 1,2,3

Insert the plastic foot onto one end of each upright or bolt the metal foot onto the upright using the M6 x 40 bolt, nut and washer



Lay the uprights down and position the horizontal battens, making sure they miss the position of any shelves. Then tap down with a rubber mallet

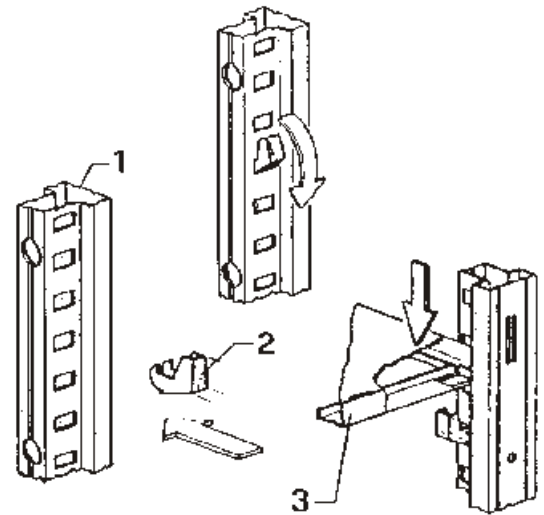


With a flat bladed screw driver gently push the tab of the batten into the upright, stopping it accidentally being knocked out.

# Expo 4 assembly instructions - easy as 1,2,3



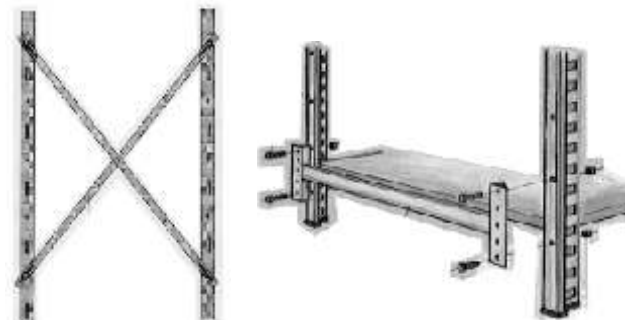
Locate the top and bottom shelf onto the clips, ensuring a firm tap with the hand to maximise the friction design of the shelf and clip



## X bracing or H bracing



*Tip - do not tighten any bolts until the bays are level and square*



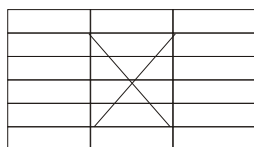
### OPTION 1

Now add the X brace to the back of the bay. You will need the M5 x 15 nut and bolt with an 8mm nut runner (provided). Fix each end of the brace to the upright and then bolt in centre of the X.

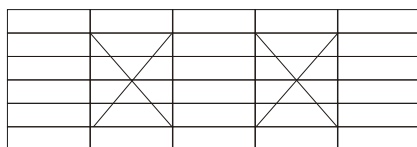
### OPTION 2

If the racks need to be clear entry then add The H brace to the front or backs of the bay. Position two braces for every two bays at a shelf position

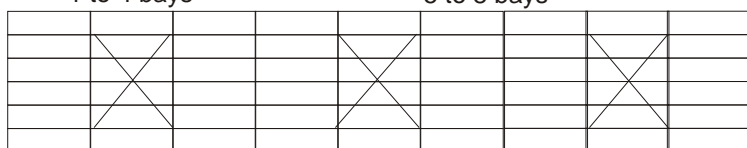
## Position of back X bracing



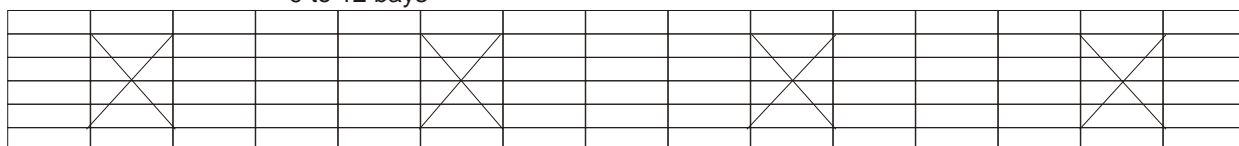
1 to 4 bays



5 to 8 bays

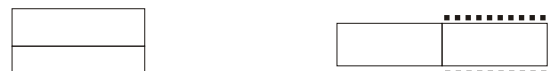
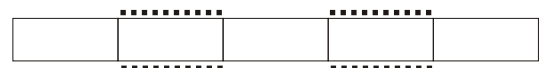


9 to 12 bays



13 to 20 bays

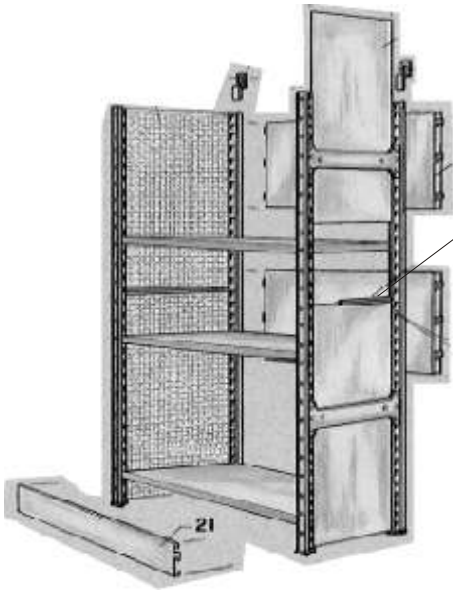
## Position of H brace



Fit two H braces on opposite sides of the bay in front of a shelf, using six M5 x 16 nut and bolt. There should be two braces every second bay in the run.

# Expo 4 assembly instructions - easy as 1,2,3

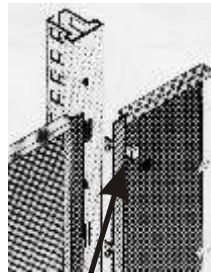
## Side cladding



The side cladding will come as two panels. Slide the first panel down into the frame and place the black plastic joining rib on top ready to locate the next panel.



## Hook in back cladding



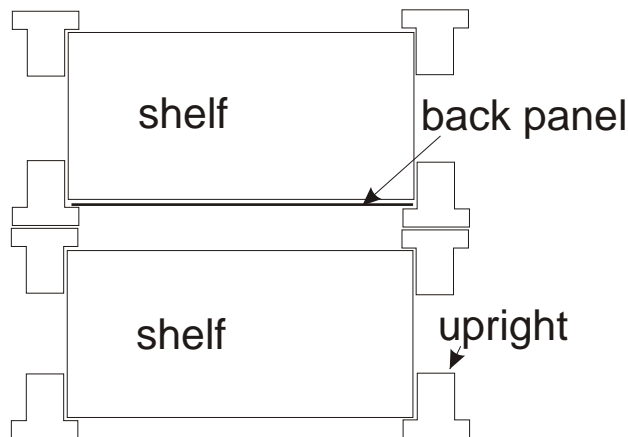
plastic 'u' clip

To aid the installation of the hook in back panels, only have the top and bottom shelves loosely fitted. Clip the first panel 100mm off the floor into the slots in the face of the upright. Then tap it down so the black plastic U clip can be put into the slot to stop the panels popping back out. With the first bay in a run built you can then fit the hook in back panels and frames, leaving the shelves till last.

**NB - the first panel should be 100mm off the floor**



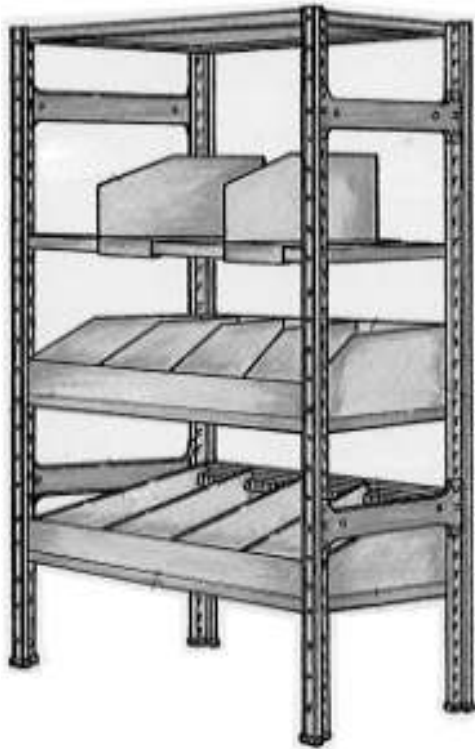
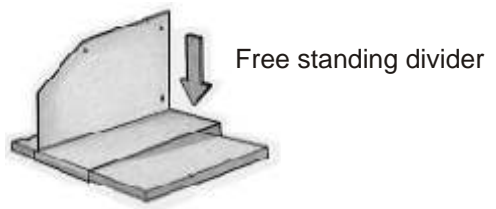
## Flat sheet back cladding



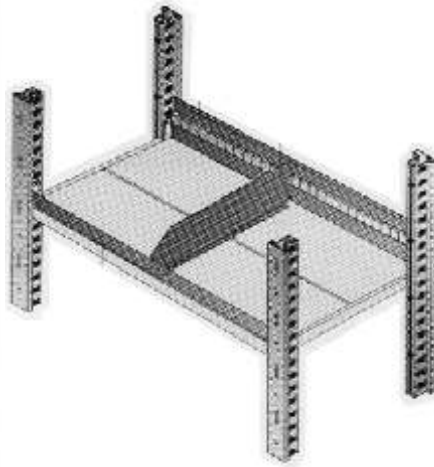
With the bays fixed together and one bay having a shelf fitted top, middle and bottom. You can now loosely fit a bottom shelf and then take the first cladding panel and place it between the upright and shelf as indicated in the sketch above.

With the bottom panel in position place a shelf level near the top of the bottom panel to hold it steady. Now place the black plastic joining rib on top of the bottom cladding panel. Then offer up the top panel inserting it into the black plastic joining rib. **(Tip - you may find it useful positioning the clips for the top shelf before fitting the panel as this will help retain the panel until the shelf is fitted).**

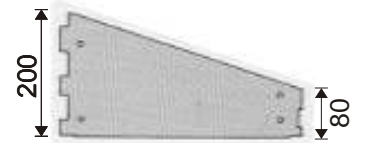
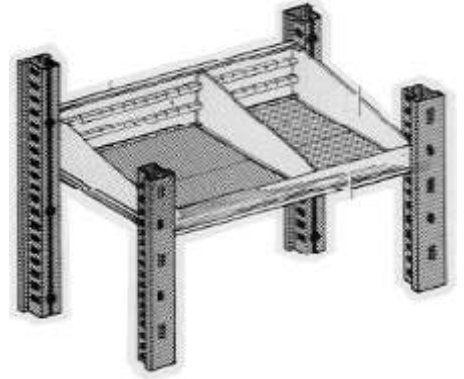
# Expo 4 accessories



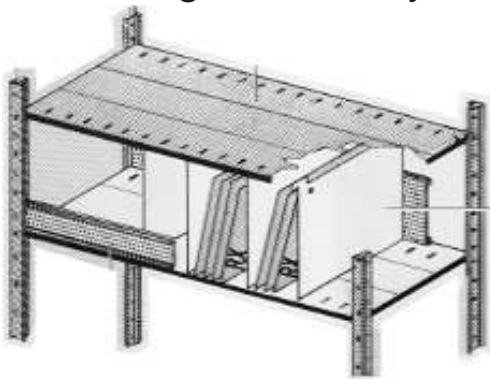
Straight divider system Type B



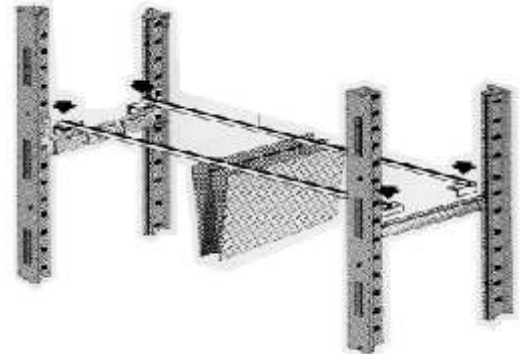
Sloping divider system Type A



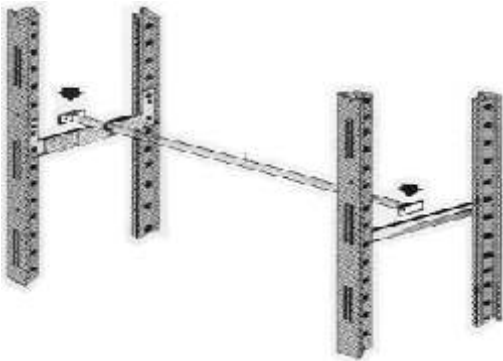
Fixed height divider system



Lateral filing frame



Garment rail



Tyre rail

