

Senturion 447

Product Description & Advantages

- Gas cylinder store manufactured from PVC coated steel with metal base.
 - Padlock locking system.
 - Vents at both high and low levels.
 - The gas cylinder stores are intended for exterior use only.
 - Fixing holes for regulator/changeover valve (not included).
 - Removable lower front panel.
 - Patented spring opening action system.
 - Maintenance-free construction. Fire Resistant
 - Cylinder storage capacity: 4 x 47 kg cylinders max.
 - Simple, clear and detailed assembly instructions.
 - 25 year panel guarantee.
- Standard Senturion 447
 Two Tone Ref: 3160400

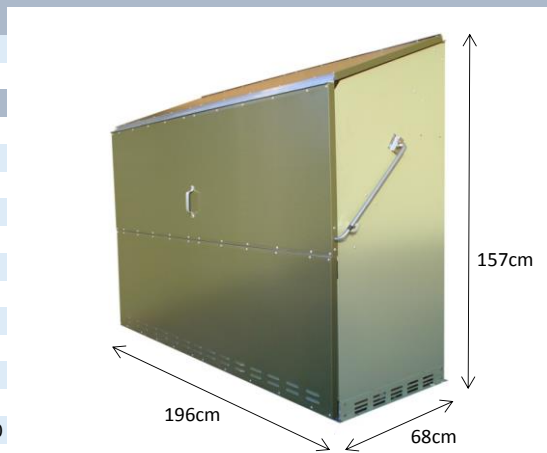
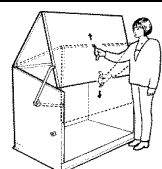


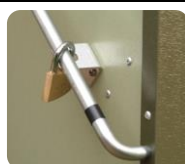
Photo Gallery



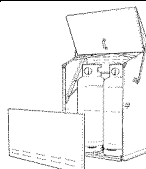
Features



Spring Assisted Opening Action



Securely Lockable



Removable Front Panel

Available Colours



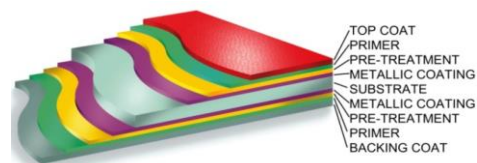
TWO TONE

*please refer to accessories datasheet

Dimensions once Assembled (1.33 m ²)	External (cm)			Internal (cm)			
	Width	Depth	Height to back	Width	Depth	Height to front	Height to back
	196	68	157	179	62	128	154

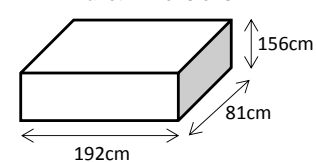
Packing	Packing Description	Quantity	Length (cm)	Width (cm)	Thickness (cm)	Weight (kg)
Shipped in 4 boxes Total Weight 79kg	Panel Box	1	191.5	71.5	12.5	23
	Base Box	1	192	33.5	10	18
	Side Panel Box	1	191	73	9	25
	Floor Box	1	191	73	9	13

Material Specification



No of products per pallet - 10

Pallet Dimensions



Trimetals Ltd, Sunrise Business Park, Higher Shaftesbury Road, Blandford Forum, Dorset, DT11 8ST, UK
 Tel: +44 (0) 1258 459441 Fax: +44 (0) 1258 480408 Email: info@trimetals.co.uk

UPDATE: 21/11/2019